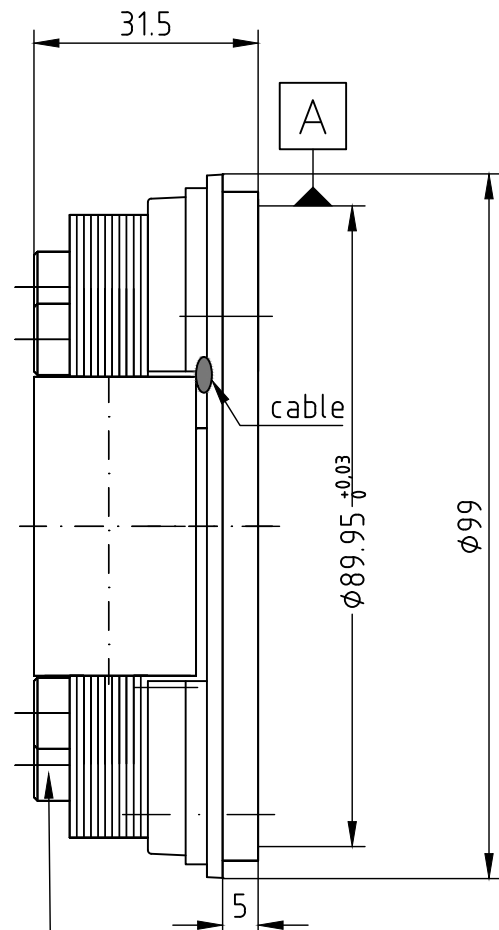
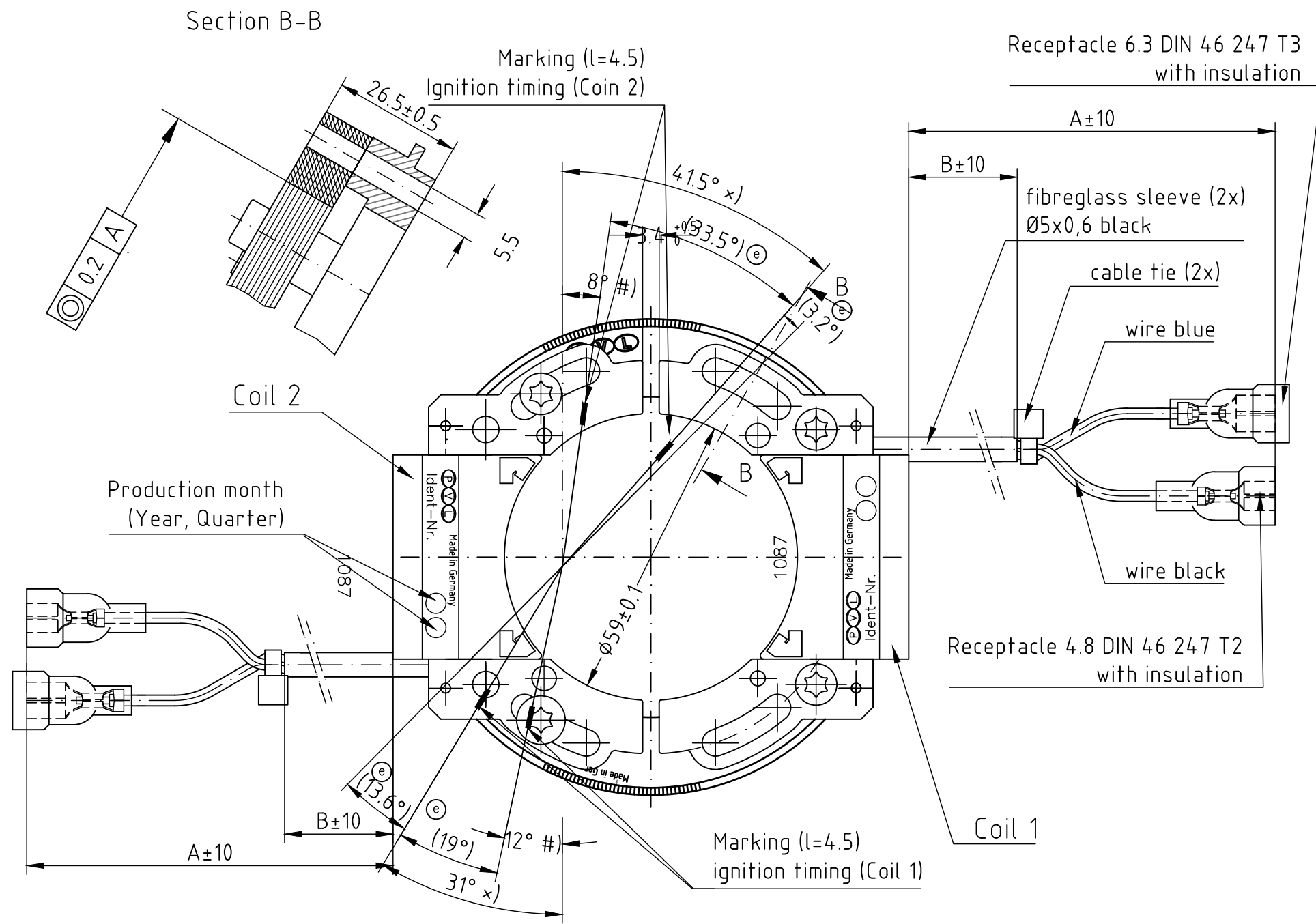


| | | |
|-------------------|---|----------------|
| A-V | X | PVL-Allersburg |
| Entw.-Leitung | - | PVL-Pressig |
| Fert.-Leitung | X | PVL-Formenbau |
| Qualitätsicherung | X | PVL-Sugenheim |
| Verkauf | X | Labor |
| Einkauf | X | Lager |



Cylinder screw flat Torx
M5x20
Mat.: St
Surface.: Zn, blue chromated
PVL-E-Techn. -Nr. 1 700 006
Tightening torque: 4-6 Nm



#) = ignition timing mark for clockwise rotation ↻
x) = ignition timing mark for counter-clockwise rotation ↻

| | |
|----------------|--------------------------------------|
| Mounting plate | 0001236 |
| Coil | |
| Cu-wire | Ø0,15 W210 Grad 2 [LL] |
| No. Of turns | 4500 |
| Wires | |
| Material | PE-strand EPX 155FR-1mm ² |
| Length A[mm] | 350 |
| Coil beg. | wire black |
| Coil end | wire blue |
| Length B[mm] | 280 |

| | | | | | |
|--|---|------------|------|-----------------------------|--|
| Permissible deviation for dimensions without tolerance indication ±0.5mm; ±1° | | | | Werkstoff: - | |
| Datum | | Name | | Maßstab: | |
| Bearb. | 01.03.99 | Ghiurca/NG | | Stator complete | |
| Gepr. | | | | 1:1 | |
| Norm | | | | | |
| e | angles: 32°; 35.5°; 13.6° a. 19° added: | 17.07.06 | GH | | |
| d | baseplate a. Art.-Nr. changed | 27.03.06 | | | |
| c | Lengths A/B were 560/510 | 19.11.02 | KL | | |
| b | new drawing, DWG.-Nr. w. 105 | 19.10.99 | KL | | |
| a | (coil revised, 4500 was 5000, Tab. added) | 30.04.99 | KL | | |
| Zust. | Anderung | Datum | Name | | |
| Electronic 90556 Cadolzburg | | | | Art.Nr.: 500887 458-1087 | |