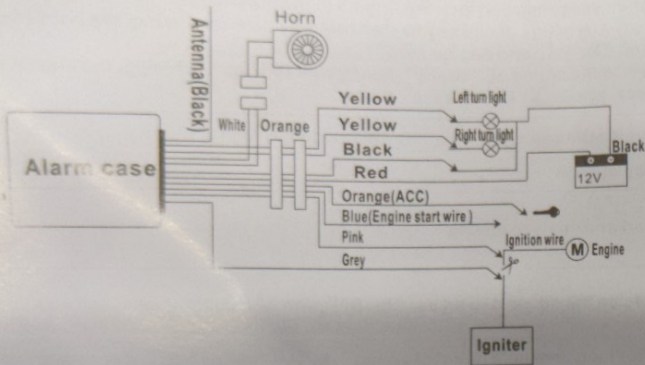


Wiring diagram



Wiring function

Mainframe 9P wires	
Colour	Function
Red	Positive
Black	Negative
Orange	ACC/Electric door lock
Blue	Engine start wire
Grey	Flarneout wire-igniter
Pink	Flameout wire-engine
Black	Ground wire
Yellow	Turn light
Yellow	Turn light

Motorcycle Alarm SYSTEM

Manual

Manual

Function key	Status	Function	Operation	Explanation
Set	Stop	Arming	Press once	The horn voice a sound of "Bi", then get into alarming after 3 seconds 1. Alarming in advance: The horn voice the sound of 4 times "Bi-Bi", then get into alarming after 3 seconds and lock the engine in the meantime 2. Emergency Alarming: If use key to start motorcycle after arming, the horn voice the sound of "Bi-Bi" and engine stop.
	Underway	Prevent robbing	Press once	The horn voice the sound of "Bi-Bi" loudly with turn lights shining, the engine will stop and lock, press and release
Release	Alerting	Disarming	Press once	The horn voice the sound of twice "Bi-Bi" with turn lights shining
	Engine starting	Engine stop	Press once	Engine stop at once
Start	Stop/Alerting	Engine start	Press twice	Engine start and keyless driving
Seek	Stop/Alerting	Seek motorcycle	Press once	The horn voice the sound of 5 times "Bi-Bi" with turn lights shining and locating
	Anytime	Sensitivity adjustment	Press long time	Press for long time until heard of sound "Bi", 1 time of "Bi" means highest level, 2 times mean second level, it has 4 different levels.

Notice:

1. Don't drop the remotes on the floor or into water.
2. When the remote distance becomes shorter and the indicator light becomes darker, please change the remote's battery
3. Don't open the alarm case/body without professional conduct

Technical parameters:

1. Working voltage: 9-15V
2. Working current: <500MA
3. Static working current: <5MA
4. Loudness of horn: 125DB